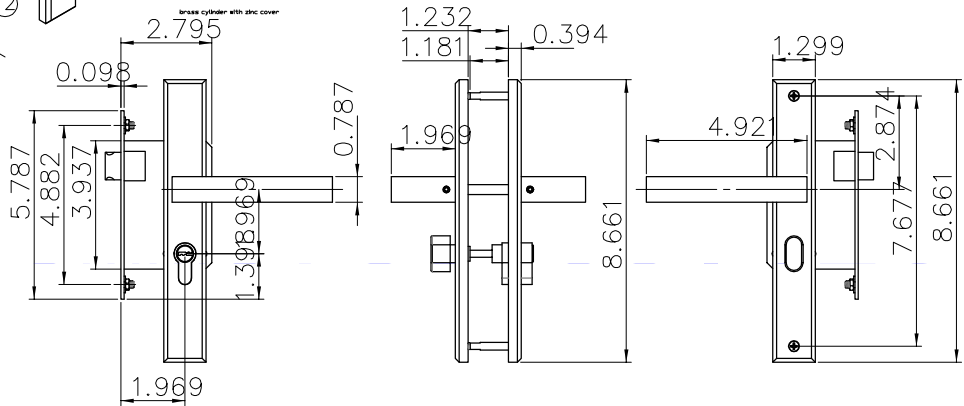


S/N	Part name	QTY	Material
1	M5x30screw	2	stainless steel
2	square bar	1	Q235
3	Striking plate	1	stainless steel
4	M5x10 Stainless Steel Cross Countersunk Screw	4	stainless steel
5	M5 hex nut	4	stainless steel
6	M5 meson	4	
7	Lock body	1	
8	Panel	2	304 stainless steel
9	handle	2	304 stainless steel
10	cylinder	1	
11	Fixing washer	1	stainless steel
12	Plastic washer	1	plastic
13	Connecting post with thread	2	STEEL
14	KEY	3	COPPER
15	Allen wrench	1	STEEL
16	Fixing washer screws	2	STEEL

General Requirements:  
 1. Cracks, shrinkage cavities and penetrating defects, severe defects are not allowed on the surface of the parts;  
 2. Normal draft angle unless specified;  
 3. No burrs allowed on the parts;  
 4. Unspecified dimensional tolerances follow IT12 level; unspecified shape tolerances follow the requirements of GB/T1184-1996.



更改内容				日期	规格	名称	Swing Door Handle Assembly
设计	阮工	2019年6月12日	审核	年月日	图样标记		图纸编号
制图	阮工	2019年6月12日	批准	年月日	共张 第张		Bakue Commerce Co., Ltd